

Active Chilled Beams

Active Chilled Beams

Contents

Introduction	1
Active Chilled Beams	2
Model ACB40	3
Model ACB50	4
Model ACB60	5

Active Chilled Beams

Celmecc International

Leading the way in Air Control, Heating & Cooling

At Celmecc International, it is our belief that working closely with our clients aids the mutual success of both organisations and for this reason we have adopted the following mission:

“To excel in the commercial and industrial building industry by setting new standards with innovative products through leadership, first class customer service and engineering excellence.”

It is with confidence that we at Celmecc International offer Active Chilled Beams as part of our unique Air Control product range.



Active Chilled Beams

- Active Chilled Beams deliver more cooling capacity using less treated air than any all-air system.
- Fan power is dramatically reduced, with the primary air being typically only 30% of the total air supplied by Dadanco Active Chilled Beams. This is due to the use of efficient induction technology.
- 2-stage capacity control through control of secondary water flow separate from primary air control.
- Ensured continuous quality air diffusion in the conditioned space due to the constant air volume and air flow patterns created.
- Low noise characteristic.
- Minimal maintenance (no moving parts).



Active Chilled Beam - ACB40

2-way discharge Active Chilled Beam

Models ACB40-0450 - 600mm x 600mm
 ACB40-1050 - 600mm x 1200mm
 ACB40-1350 - 600mm x 1500mm
 ACB40-1650 - 600mm x 1800mm



Active Chilled Beam - ACB50

1-way discharge Active Chilled Beam

Models ACB50-0450 - 600mm x 600mm
 ACB50-1050 - 600mm x 1200mm
 ACB50-1650 - 600mm x 1800mm



Active Chilled Beam - ACB60

1-way discharge Active Chilled Beam

Models ACB60-1100 - 300mm x 1200mm
 ACB60-1400 - 300mm x 1500mm

Active Chilled Beams

ACB40 2-Way Discharge

Cooling 40 to 250 W/m²

ACB40 incorporates 2-way supply air discharge with a one piece perforated return air grille and a single 2-row horizontal secondary cooling coil. Secondary room air is induced directly from the conditioned space to eliminate cross contamination between rooms or units.

The ACB40 is suitable for perimeter or internal zone in-ceiling installations in:

- Office buildings
- HVAC new construction and refurbishment projects
- Hospitals, healthcare facilities and laboratories
- Schools and institutional buildings
- Airports

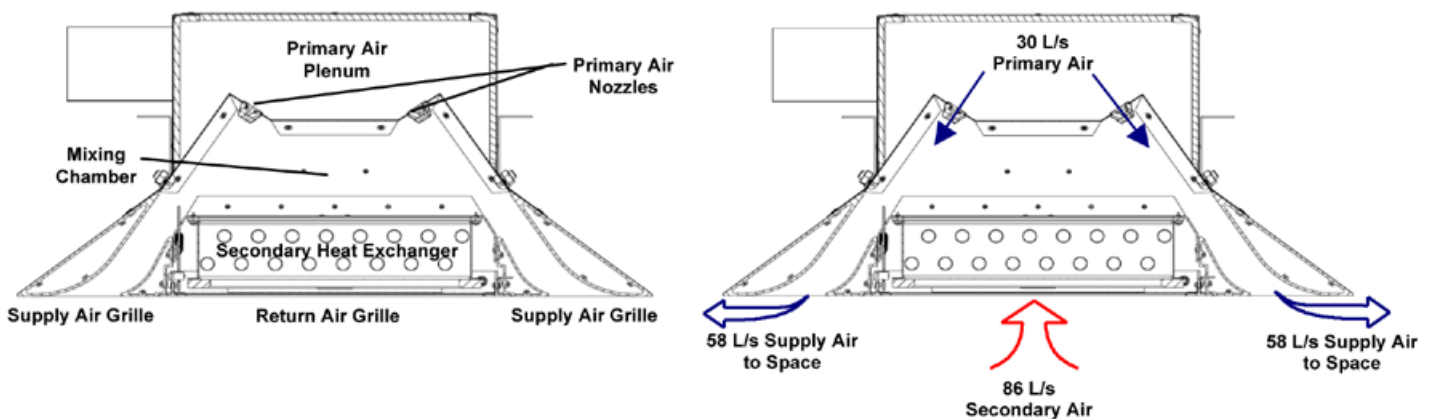
ACB40 2-Way Discharge Active Chilled Beam

MODEL	ACB40-0450	ACB40-1050	ACB40-1350	ACB40-1650
Grille Face Size	600 x 600mm	600 x 1200mm	600 x 1500mm	600 x 1800mm
Nominal Active Coil Length	450mm	1050mm	1350mm	1650mm
Primary Air Range ≤ 150Pa	10 ~ 26 L/s	19 ~ 53 L/s	25 ~ 65 L/s	34 ~ 80 L/s
Nominal Cooling Capacity Range	370 ~ 652 Watts	727 ~ 1640 Watts	1154 ~ 2186 Watts	1294 ~ 2604 Watts
Configuration	2-Pipe only	2-Pipe or 4-Pipe	2-Pipe or 4-Pipe	2-Pipe or 4-Pips

NOTE: Nominal cooling capacities @ 23°C room air, 12°C primary air, 14°C entering secondary water temperature and secondary water flow rate to achieve average leaving water temperature of 17°C (Δ = 3°K). Minimum water flow = 0.03 L/s.

Primary air pressure ≤ 150Pa.

ACB40 2-Way Discharge Active Chilled Beam



Active Chilled Beams

ACB50 1-Way Discharge

Cooling 45 to 250 W/m²

ACB50 incorporates 1-way supply air discharge with one piece perforated return air grille and a single horizontal secondary cooling coil. For use in typical perimeter zone applications. Secondary room air is induced directly from the conditioned space to eliminate cross contamination between rooms or units.

The ACB50 is specifically designed for perimeter zone in-ceiling installations in:

- Office buildings
- HVAC new construction and refurbishment projects
- Hospitals, healthcare facilities and laboratories
- Schools and institutional buildings
- Airports

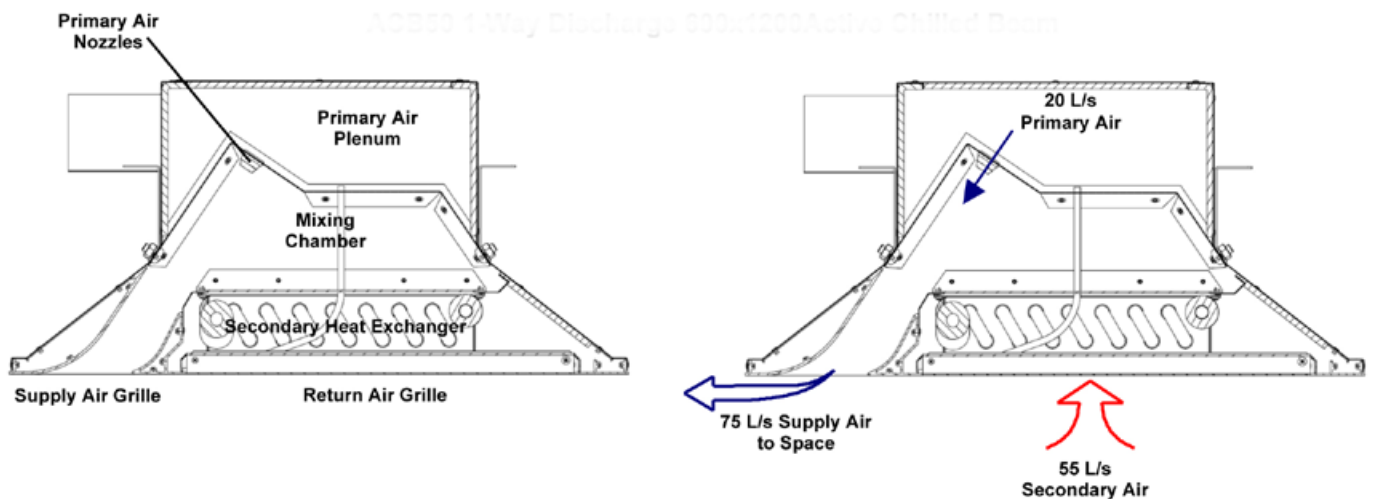
ACB50 1-Way Discharge Active Chilled Beam

MODEL	ACB50-0450	ACB50-1050	ACB50-1650
Grille Face Size	600 x 600mm	600 x 1200mm	600 x 1800mm
Nominal Active Coil Length	450mm	1050mm	1650mm
Primary Air Range ≤ 150Pa	6 - 15 L/s	12 ~ 30 L/s	18 - 39 L/s
Nominal Cooling Capacity Range	245 - 470 Watts	500 ~ 1140 Watts	767 - 1715 Watts
Configuration	2-Pipe only	2-Pipe or 4-Pipe	2-Pipe or 4-Pipe

NOTE: Nominal cooling capacities @ 24°C room air, 12°C primary air, 14°C entering secondary water temperature and secondary water flow rate to achieve average leaving water temperature of 17°C (3°K ΔT). Minimum water flow = 0.03 L/s.

Primary air pressure ≤ 150Pa.

ACB50 1-Way Discharge Active Chilled Beam



Active Chilled Beams

ACB60 1-Way Discharge

Cooling 45 to 200 W/m²

ACB60 incorporates 1-way supply air discharge with single slot return air opening and a single vertical secondary cooling coil for use in typical perimeter zone applications. Secondary room air is induced directly from the conditioned space to eliminate cross-contamination between rooms or units.

The ACB60 is specifically designed for perimeter zone in-ceiling installations in:

- Office buildings
- HVAC new construction and refurbishment projects
- Hospitals, healthcare facilities and laboratories
- Schools and institutional buildings
- Airports

ACB60 1-Way Discharge Active Chilled Beam

MODEL	1200mm ACB60-1100	1500mm ACB60-1400
Grille Face Size	300 X 1200mm	300 x 1500mm
Nominal Active Coil Length	1100mm	1400mm
Primary Air Range ≤ 100Pa	10 ~ 30 L/s	15 - 35 L/s
Nominal Cooling Capacity Range	535 ~ 930 Watts	740 - 1165 Watts
Configuration	2-Pipe only	2-Pipe only

NOTE: Nominal cooling capacities @ room air to primary air ΔT of 12°K, air to entering secondary water temperature ΔT of 10°K & leaving water ΔT of 3K. Primary air pressure = 100Pa.

ACB60 1-Way Discharge Active Chilled Beam

